

DUO-THERM[®]
by Dometic

WHEN ORDERING SPARE PARTS, ALWAYS STATE:
MODEL - QUANTITY - PART NUMBER - DESCRIPTION
FOR ELECTRIC DETAILS ALSO:
VOLTAGE - WATTAGE

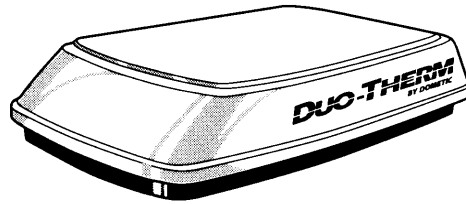
Penguin[®]

**ROOF MOUNTED
RV AIR CONDITIONER
115 VAC / 60 HZ.**

USA
SERVICE OFFICE
The Dometic Corp.
509 So. Poplar St.
LaGrange, IN 46761

CANADA
Dometic Dist.
866 Langs Dr.
Cambridge, Ontario
CANADA N3H 2N7

**For Technical
Assistance Call:**
800-544-4881



INCLUDES C & D SUFFIXES

PARTS LIST

MODELS

600312.321

Product No. 991720552

600315.321

Product No. 991720671

Form No. 3105822.013 7/97
Replaces (3105822.005)
The Dometic Corp.
LaGrange, IN 46761
Copyright 1994
The Dometic Corporation

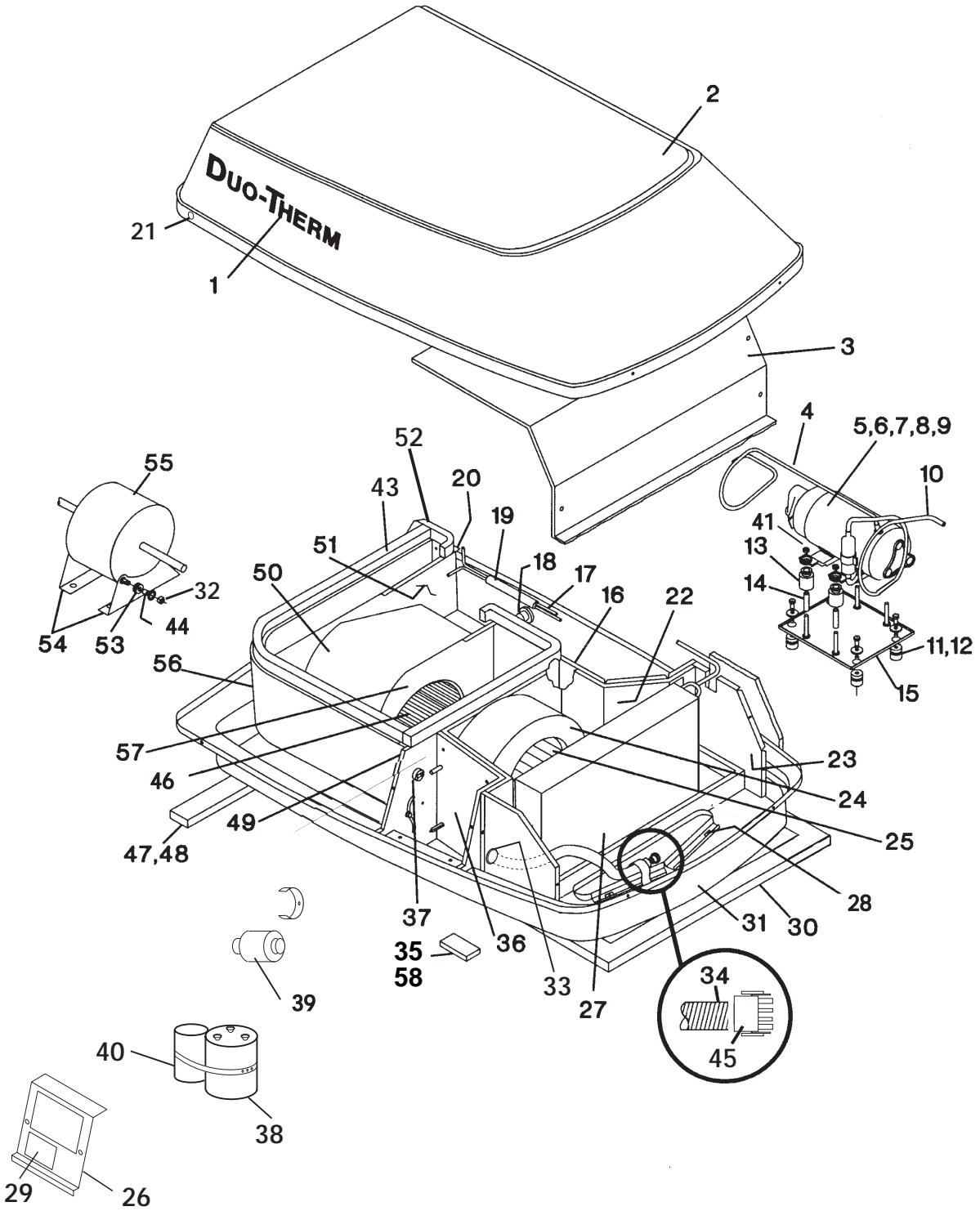
SPECIFICATIONS

MODEL NO.	600312.321	600315.321	
Nominal Capacity (BTU/HR)	11,000	13,500	
Electrical Rating	115 VAC, 60 Hz., 1 ph.		
Compressor Rated Load Amps	9.5	12.4	
Fan Motor Rated Load Amps	3.1	3.1	
Compressor Locked Rotor Amps	53.0	60.0	
Fan Motor Locked Rotor Amps	8.8	8.8	
Input Watts- Cooling	1350	1600	
SCFM-High Speed Max./Min.	335/250		
Total Static - Min./Max.	0.12 / 0.65" W.C.		
Refrigerant (R22) Oz.	16.5	15.5	
Minimum Wire Size ***	12 AWG Copper Up to 24 ft.		
AC Circuit Protection	20 Amp Time Delay Fuse or HACR Circuit Breaker		
Installed Weight (Pounds)		95 96	
Minimum Generator	1 Unit	2.5KW	3.5KW
Size **	2 Units	4.0KW	5.0KW

* For distances over 24 ft. consult the National Electrical Code.

** The Dometic Corporation gives general guidelines for generator requirements. These guidelines come from experience people have had in actual applications. When sizing the generator, the total power usage must be considered. Also keep in mind generators lose power at high altitudes and from lack of maintenance.

ROOF MOUNTED ASSEMBLY



ROOF MOUNTED RV AIR CONDITIONER

Index #	Description	Part No.	
		600312.321	600315.321
1	Decal (2 req.)	3102888.009	3102888.009
2	Shroud	See NOTE 1	See NOTE 1
3	Evaporator cover asm. w/insulation	3102514.803	3102514.803
4	Line, discharge	3102985.003	3102985.003
5	Compressor asm. (Sanyo 80683842T)	3103402.024	— — — —
	Compressor asm. (Sanyo 806-090-42)	— — — —	3102984.006
6	Cover, terminal	3102321.001	3102321.001
7	Gasket, terminal	3102320.003	3102320.003
8	Overload	3100250.210	3100250.228
9	Nut, flange	306342.005	306342.005
10	Suction line	3102986.001	3102986.001
11	Grommet, mtg. plate (4 req.)	3102324.005	3102324.005
12	Washer (4 req.)	309513.015	309513.015
13	Grommet, compressor (4 req.)	3100238.181	3100238.181
14	Sleeve, compressor (4 req.)	3100239.114	3100239.114
15	Plate, compressor mtg.	3102590.035	3102590.035
16	Bulkhead, compressor	3102511.031	3102511.031
17	Capillary tubes (2 req.)	3100245.392	3100245.418
18	Bushing, snap-in	301028.037	301028.037
19	Filter-Drier	3103882.001	3103882.001
20	Close-off Plate	3100256.001	3100256.001
21	Screw, shroud (4 req.)	313685.002	313685.002
22	Insulation, bulkhead	3102516.022	3102516.022
23	Plate, evaporator close-off (split & use 1 each side)	3102512.021	3102512.021
24	Blower housing	3100300.007	3100300.007
25	Wheel, evaporator, plastic	3100385.008	3100385.008
26	Cover, electric box	3102510.009	3102510.009
27	Coil, evaporator	3102677.006	3104573.005
28	Bracket, front	3105495.000	3105495.000
29	Decal, wiring	3105052.009	3105052.009
30	Gasket, mounting 14" x 14"	3100247.000	3100247.000
31	Base pan	3103179.010	3103179.010
32	Nut, flange motor #8-32 (4 req.)	306342.003	306342.003
33	Strain relief	302994.011	302994.011
34	Sleeve, wire	318087.009	318087.009
35	Foam block (2 req.)	3100587.009	3100587.009
36	Bulkhead, electric box	3102532.029	3102532.029
37	Relief, strain	302994.017	302994.017
38	Capacitor, fan/run	3100248.362	3100248.073
39	PTCR device	3100876.006	3100876.006
40	Capacitor, start	3100236.219	3100236.219
41	Nut, flange, compressor (4 req.)	306342.002	306342.002
42	Strap, capacitor	317188.000	317188.000
43	Foam tape 1-1/4 x 1-1/4 x 34"	3102669.011	3102669.011
44	Spacer, motor mounting (4 req.)	308046.000	308046.000
45	Plug, male	314470.001	314470.001
46	Wheel, blower	3100386.006	3100386.006
47	Gasket 10" x 1-1/2"	3100286.032	3100286.032
48	Gasket 16" x 1-1/2" (2 req)	3100286.016	3100286.016
49	Bulkhead, evaporator	3100254.048	3100254.048
50	Blower, scroll	3100260.003	3100260.003
51	Blower side, rear	3100261.001	3100261.001
52	Foam tape 1-1/4" x 3/4" x 66"	3102669.003	3102669.003
53	Grommet, motor (4 req.)	3100230.022	3100230.022
54	Bracket, motor (2 req.)	3100258.007	3100258.007
55	Motor, fan	3105417.004	3105417.004
56	Coil, condenser	3101467.003	3101467.003
57	Blower, side front	3100259.005	3100259.005
58	Insulation, housing (not shown)	3100294.002	3100294.002

* CUSTOMER OPTIONS – REQUIRED

3107541.009	Control Kit, Analog cool only
3107541.017	Control Kit, Analog heat strip
3104999.002	Electronic Kit with gas heat
3104999.010	Electronic Kit without gas heat
3105457.000	Box asm. complete (Manual)
3105458.008	Box asm. complete (Electronic T-Stat)
3105459.006	Box asm. complete (Electronic wall t-stat with electric & gas heat)
3105459.014	Box asm. complete (Electronic wall t-stat without gas heat)
3107561.007	Box asm., complete Shell White
3107561.015	Box asm., complete Polar White

* See individual parts list for each option.

NOTE 1:

Models without suffix letter use 3102515.008 Shroud, Shell White

Models with suffix letter **C** use 3102515.024 Shroud, Polar White

Models with suffix letter **D** use 3102515.032 Shroud, Gray